

# Single LED Wall Sconce

**WS2412**  
INSTALLATION SHEET

## START FROM HERE

- Make sure **POWER** is **COMPLETELY OFF** at the fuse box
- Have your fixture installed by a qualified licensed electrician
- Prepare everything in a clear area
- Wear gloves at all time during this installation
- Read instructions carefully before you start assembly
- Keep this installation sheet for future reference

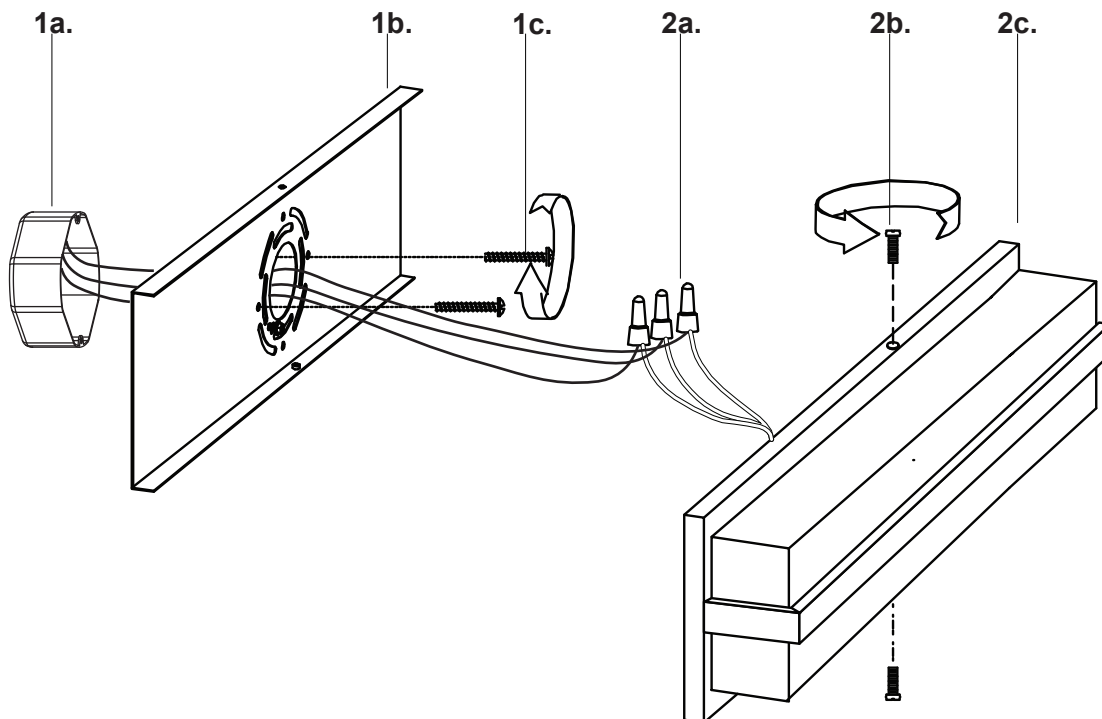
### Please Note:

- All Kuzco LED fixtures come with pre-wired LED module(s).
- Unless instructed to do so, please do not touch any part of the LED module(s) as any unnecessary contact with the module could cause permanent damage.
- For dimming, an ELV (Electronic Low Voltage) type of dimmer is required.

**CAUTION: HEAVY FIXTURE, THE JUNCTION BOX NEEDS TO BE REINFORCED BEFORE INSTALLATION.**

**Technical Support:** 1-855-855-8926

- 1.** Remove the fixture from its original packaging. Remove the canopy mounting plate (**1b**) from within the canopy (**2c**) and attach it to the electrical junction box (**1a**) using the two screws (**1c**) provided in the hardware package.
- 2.** Attach the canopy to the mounting plate to the electrical junction box. First attach all wiring (**2a**) with the provided marrets (white to white "N", black to black "L", ground to ground "G"). Push the canopy (**2c**) onto the mounting plate (**1b**), and align the holes (above & below) on the canopy (**2c**) to the holes on the mounting plate. Once aligned, screw in the two small machine screws (**2b**) provided to secure the fixture to the wall.
- 3.** You have now completed the installation of your fixture, please enjoy.



**KUZCO**

19054 28th Avenue Surrey, BC Canada V3Z 6M3  
T: 604 538 7162 TF: 1-855 85 KUZCO F: 604 538 7196  
W: kuzcolighting.com  
20181127